



PROVIDE **FIRE PROTECTION** FOR ANY **PAPER BASED DOCUMENTS** IN THE EVENT OF A SEVERE FIRE

Tested and certified to UL 72 Class 350 for 2 hours



# RPF CABINET 5200

FIRE-RESISTANT DOCUMENT PROTECTION



UL 72  
Class 350  
2hr

## KEY FEATURES

- The body has an overall thickness of 57mm insulated with Chubb's patented PCDE fire resistant material.
- The drawers constructed with an overall thickness of 56mm. Each drawer is suspended on full extension rails with bearings for durability and for ease of use. The drawers designed to fit most paper hoist and box files.
- 2 hour fire rated in compliance to UL 72 Class 350 (Fire Endurance Test) which represents one of the highest and most stringent test currently used to evaluate record protection equipment.
- Central Locking: One 3-wheel keyless combination lock and one key lock on the top drawer' controlling all drawers.
- Individual Locking: One 3-wheel keyless combination lock and key lock on the top drawer' controlling all drawers. In addition, there is one key lock on each subsequent drawer.
- A choice of Electronic Lock may also be fitted.
- A scratch resistant Polyurethane based finish.

BY **GUNNEBO**

**Chubb**safes

*Trusted the world over.*

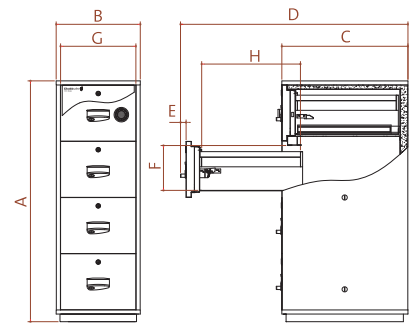
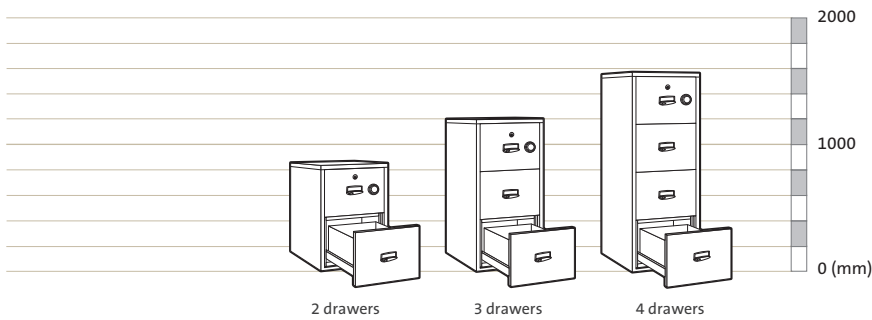
WENGENG OA SALES & SERVICES / TEL: 018-207 0021, 03-8063 8200, WEBSITE: <https://safebox2u.com.my>

# RPF CABINET 5200

## PRODUCT SPECIFICATIONS

Model	(A) External height (mm)	(B) External Width (mm)	(C) External Depth (mm)	(F) Internal drawer height (mm)	(G) Internal drawer width (mm)	(H) Internal drawer depth (mm)	Nett weight (kg)
5202 - 2 Drawers	839	551	824	292	387	645	200
5203 - 3 Drawers	1206	551	824	292	387	645	270
5204 - 4 Drawers	1573	551	824	292	387	645	350

(D) Clear depth over furniture 1480mm / (E) Furniture Projection 40mm



DRAWINGS NOT TO SCALE

### TESTED IN COMPLIANCE TO UL 72 CLASS 350 FIRE ENDURANCE

#### STAGE 1:

The Filing Cabinet is placed in a furnace and heated to a temperature 1090°C for 2 hours.

#### STAGE 2:

The furnace burners are switched off and the cabinet remain in the furnace for a period of controlled cooling to stimulate an 'after fire' environment. The Cabinet has been designed to limit internal temperature not more than 177°C.



A Chubbsafes cabinet in the furnace showing its resistance to temperatures over 1000°C for up to 2 hours.



This product is classified to UL Standards and requirements by Underwriters Laboratories Inc. UL72 Class 350

#### NOTE:

These products are designed primarily to provide protection against fire for paper documents. For recommended storage of computer-based media, ask for details of Chubbsafes Data Cabinet. For protection against physical attacks, ask for details of Chubbsafes' safes.

Authorised dealer

#### **Wengseng OA Sales & Services**

No 8 , Jalan BP 6/13, Bandar Bukit Puchong, 47100 Puchong, Selangor.

Tel: 603-8066 6550 / 8063 8100 / 80638200

Email: enquiry@safebox2u.com.my

<https://safebox2u.com.my>